



powering **marine** safety

D6-370

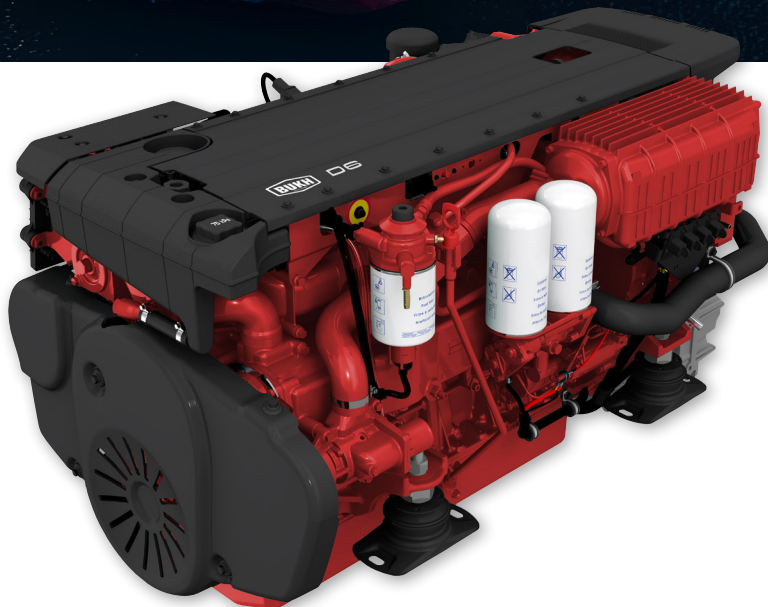
**BUKH SOLAS MARINE DIESEL ENGINE
370 HP (272 KW)**



Photo: Norsafe Magnum 750 / rescue boat

The BUKH 6-cylinder D6-370 is developed from the latest design in modern diesel technology. The engine has common rail fuel injection system, double overhead camshafts, 4 valves per cylinder, turbocharger and aftercooler.

Together with a large swept volume and the EVC system (Electronic Vessel Control), this results in world-class diesel performance.



TECHNICAL DESCRIPTION:

ENGINE BLOCK AND HEAD

- Cast iron cylinder block and cylinder head
- Ladder frame fitted to engine block
- 4 valve technology with hydraulic lash adjusters
- Double overhead camshafts
- Oil cooled pistons with two compression rings and one oil scraper ring
- Integrated cylinder liners
- Replaceable valve seats
- 7 bearing crankshaft
- Rear-end transmission

ENGINE MOUNTING

- Flexible engine mounting

LUBRICATION SYSTEM

- Easily replaceable separate full-flow and by-pass oil filter
- Seawater cooled tubular oil cooler

FUEL SYSTEM

- Common rail fuel injection system
- Control unit for processing the injection
- Fine filter with water separator

AIR INLET AND EXHAUST SYSTEM

- Air filter with replaceable insert
- Crankcase gases vented into the air inlet
- Exhaust elbow or exhaust riser
- Freshwater cooled turbocharger
- Loss of sea water alarm

COOLING SYSTEM

- Thermostatically regulated freshwater cooling
- Tubular heat exchanger with separate large volume expansion tank
- Coolant system prepared for hot water outlet
- Easily accessible seawater impeller pump

ELECTRICAL SYSTEM

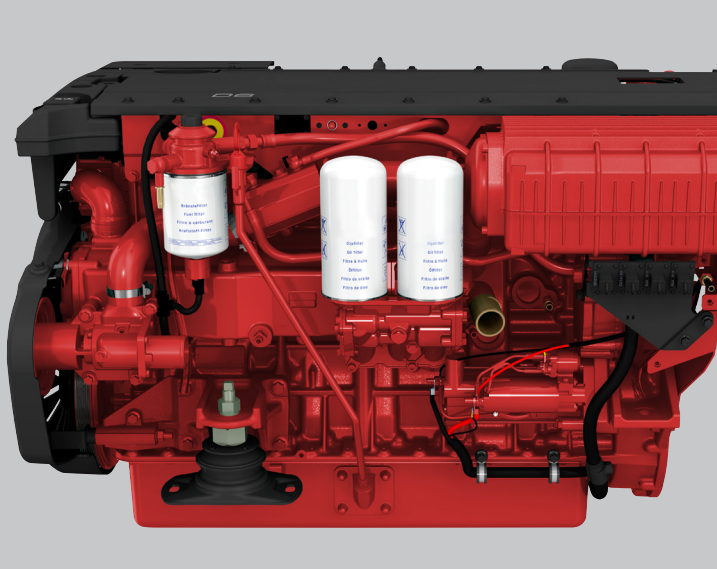
- 12V or 24V two-pole electrical system
- 14V/115A or 28V/80A marine alternator with Zener-diodes to protect the system from peak voltage, and integrated charging regulator with battery sensor cable for maximum use of alternator
- Fuses with automatic reset (12V) and fuses with manual reset (24V)
- Auxiliary stop button

INSTRUMENTS/CONTROLS

- Complete instrumentation/display packages, including e-key
- Electronic shift and throttle available as extras
- Plug-in connections

D6-370

BUKH SOLAS MARINE DIESEL ENGINE



D6-370 Specifications

Engine type	D6
Engine duty rating	C12 - High Speed Craft Commercial_3
Crankshaft power [hp(kW)]	370 (272)
Rpm@full load	3500
Cylinders	In-line 6
Displacement [L]	5.5
Bore [mm]	103
Stroke [mm]	110
Compression ratio	17.5:1
Injection system	Common Rail fuel injection system
Alternator [V -A]	14V - 115A / (24V - 80A)
Electronic engine diagnostic	YES
Max. Fuel consumption [L/h]	76,8
Dry Weight Bobtail [kg]	580
Propulsion system	Shaft Drive / Waterjet

As BUKH is always endeavouring to improve the engines, specifications mentioned are subject to alterations without previous notice.

D6-370 Dimensions

Not for installation

