



powering **marine** safety

U125

BUKH SOLAS MARINE DIESEL ENGINE

125 ps [92kW] acc. to ISO 8665



Photo: Umoe Schat-Harding Equipment AS

The U-engine family brings to boating the additional benefits of diesel power which, in the past, were limited to use gasoline engines.

It features a compact package which combines sophisticated common rail electronic fuel injection (CRDi) with the latest generation computer controlled engine management system.

A variable geometry turbocharger (VGT) coupled with the intercooler provides a superb acceleration as well as optimal boost at cruise - all while keeping fuel consumption under tight control. Available for inboard, sterndrive and jet applications, whether the need is for new builds for repower, the U125 is ready to serve.

Technical Description:

Material

- Cast iron engine cylinder block
- Aluminium head
- Oil cooled piston
- In-line 4, 16-valve DOHC
- Hydraulic lash adjusters
- Integrated water jacket
- Hydraulic timing chain auto tensioner
- Single serpentine belt system
- Drive belt auto tensioner

Engine Mounting

- Adjustable engine mount

Lubrication System

- Electric oil extraction pump
- Easily exchangeable oil filter cartridge

Fuel System

- Common Rail Direct injection (CRDi)-Solenoid injector
- Fuel filter with sensor detecting water in fuel
- Dual pressure control valve

Electrical System

- 12 volt system and 130A alternator
- Auxiliary engine stop button
- Ceramic glow plugs for trouble-free cold start
- NMEA2000 Converter (Optional)
- Electronic control system (Optional)

Cooling System

- Seawater cooled intercooler, heat exchanger
- Corrosion resistant material for the seawater circuit



Engine Operating Indicator (EOI)

- Engine self protection and diagnosis
- Display CAN information
- Display engine diagnostic error code
- Audible alarm and control lamps



Air Inlet System

- Reusable air filter
- Crankcase gases vented into the air inlet
- Intake silencer (Optional)

Exhaust System

- Engine coolant cooled exhaust manifold
- Seawater cooled exhaust elbow

Turbocharger

- Variable Geometry Turbocharger (VGT)

Engine Coupler

- Life-long and rattle free rubber roller coupler

Emissions

- EPA Tier 3, BSO and RCD compliant

Pass-by Noise Level

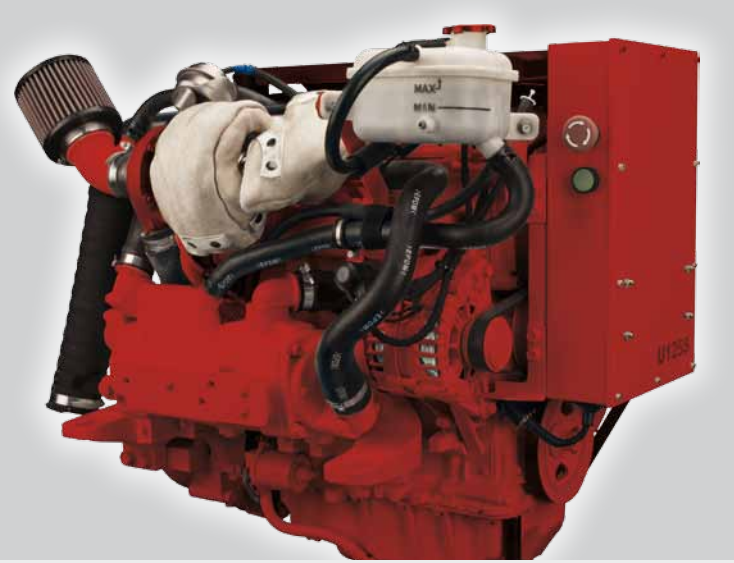
- 67.0dB (RCD Standard 75dB)

BUKH SOLAS MARINE DIESEL ENGINE

U125 Specifications

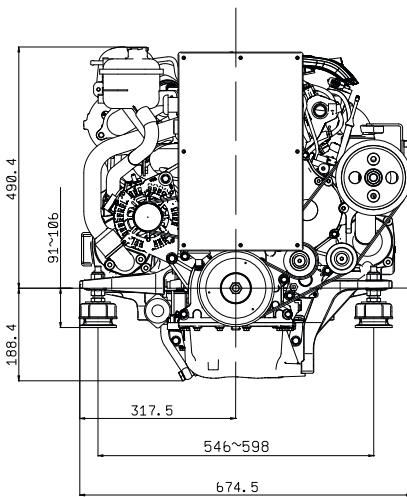
Engine type	U125J
Engine duty rating	Pleasure & Light Commercial
Configuration	4-Stroke, 16-Valve DOHC VGT with intercooler, fresh water cooling
Output [ps(kW)] acc. to ISO 8665	125 (93)
Rpm@full load	4000
Cylinders	In-line 4
Displacement [cc]	1582
Bore [mm]	77.2
Stroke [mm]	84.5
Compression ratio	17.3:1
Max. torque [kgm]	23.5
At speed [rpm]	3700
Injection system	Common Rail Direct Injection CRDI - Solenoid injector
Alternator [A]	130
Electronic engine diagnostic	YES
Max. Fuel consumption [L/h]	27
Weight [kg]	220
Propulsion system	Shaftdrive - Waterjet

As BUKH is always endeavouring to improve the engines, specifications mentioned are subject to alterations without previous notice.

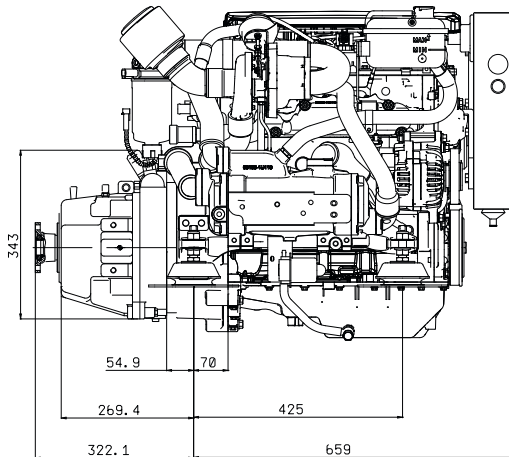


U125J Dimensions

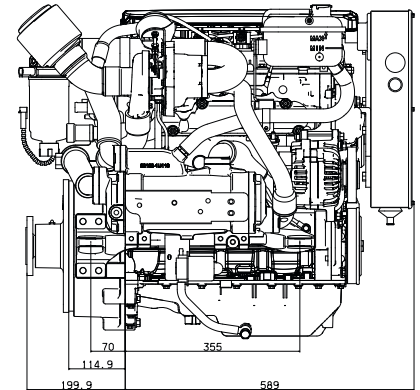
ZF 45 C + Jet Adapter (without transmission)



Front view

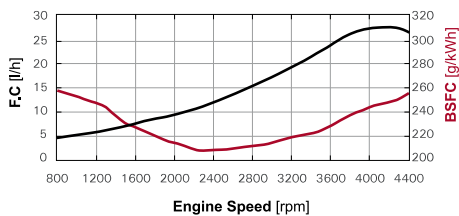
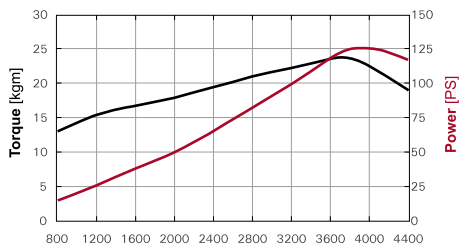


Side view



Side view (Jet Adapter)

U125J Performance Curves



Marine Gear

Model ZF 45 C for U125J:

Gear Ratio: 1 : 1
Weight (kg): 31

